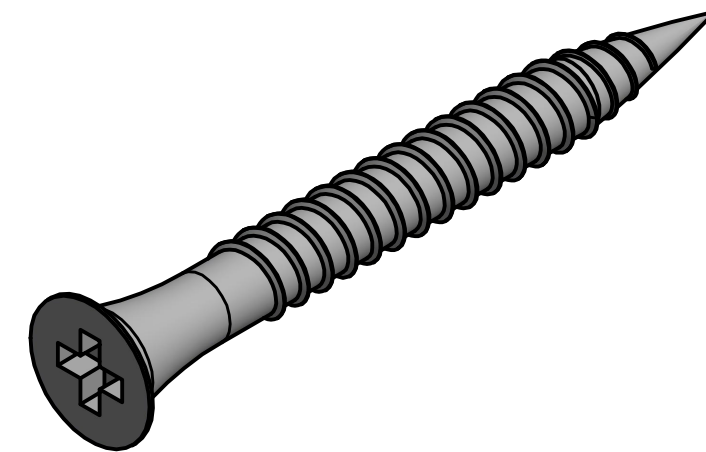
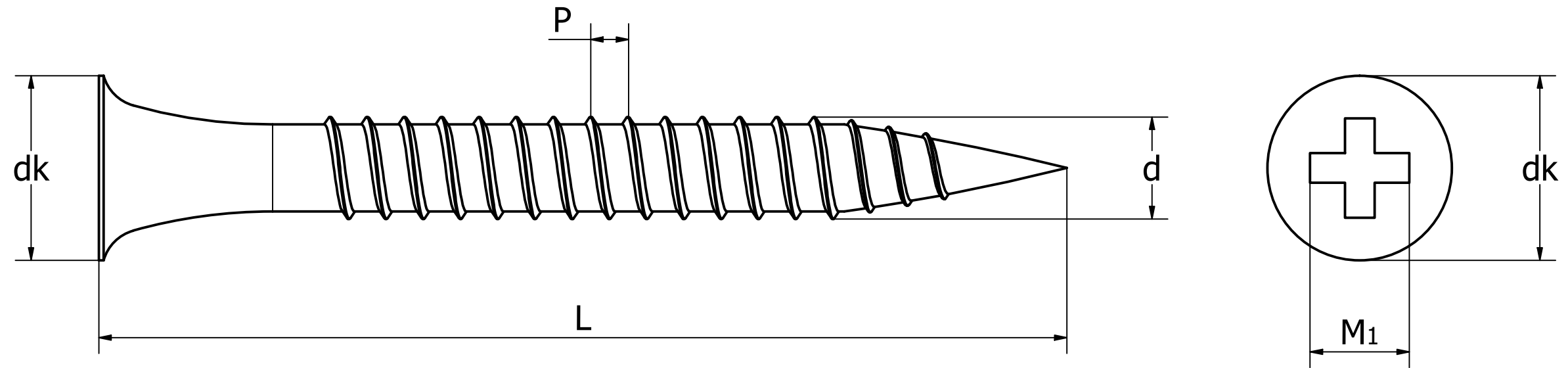


Do not scale



Dimension	Tolerance
0.5~6	± 0,1
6~30	± 0,2
30~120	± 0,3
120~315	± 0,5
315~1000	± 0,8
1000~2000	± 1,2
2000~	± 1,8

Rev.	Descript.	Date	Name	Date	17-May-21	QUOT No.	 An Dong, An Duong, Hai Phong http://baoanjsc.com.vn		VÍT THẠCH CAO		
				Drawn	Le Trung Kien					Material:Generic	
				Check	Phung Duy Duc					Drawing No.	Scale 5 : 1
				Quality Control	Ngo Dinh Du					BAC-PTKC33979	1
						Replace by	Replace by		Descript.	vít thạch cao	Format: A3